



**smeva**

since 1920

**Dedicated to freshness**



## Glacier: unique presentation of fish & seafood

This unique display counter, with an inclination of 16°, enables an eye-catching presentation of fish. In addition, the Miatech humidification system ensures an extra shiny appearance. In short, a unique and true eye-catcher for your business.

### No dehydration & reduced ice consumption

Thanks to our patented coldplate technology, the Glacier is a statically-cooled display. With the absence of fans, a natural air circulation throughout the display reduces dehydration of the fresh fish and seafood to nearly zero percent. A constant ice temperature of 0 °C reduces the amount of ice needed in the counter, up to 95% less per year! The counter requires therefore a smaller less expensive ice machine. In addition, after being thoroughly tested in our own test lab, we can guarantee a stable product core temperature that is suitable for the presentation of fresh fish.

### KEY FEATURES:

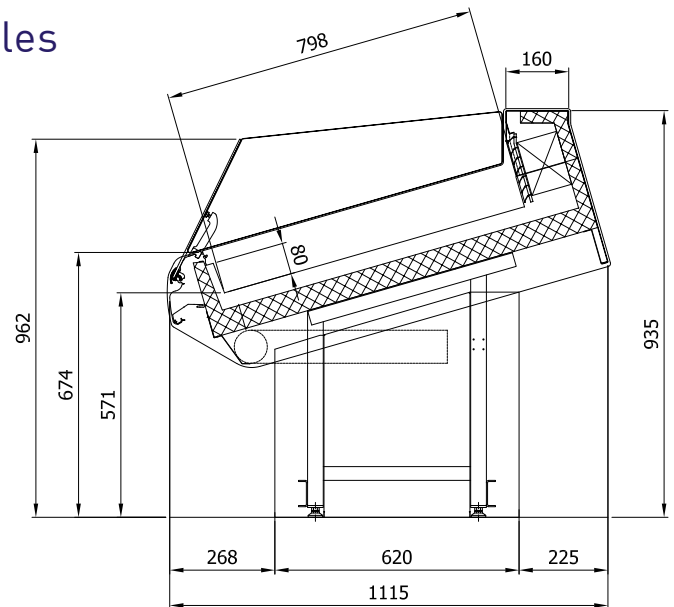
- ▶ Low dehydration
- ▶ Coldplate cooling system: static cooling, absence of fans
- ▶ Climate class 3M1
- ▶ Low energy consumption
- ▶ Miatech humidification unit (option)
- ▶ Water melting system for easy defrost and clean (option)
- ▶ Up to 95% less ice per year
- ▶ Front LED lighting (option)
- ▶ Coated evaporator

GLACIER | FISH DISPLAY



## A presentation that will increase sales

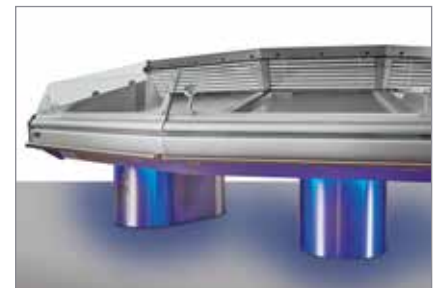
The inclined angle of 16° of the display increases your seafood sales substantially. Instead of presenting the fish in a flat, horizontal counter; the sloping presentation of the Glacier improves visibility of the product inside the counter and increases your possibilities for an appealing presentation. You can sell a wider range of fish with possible higher margins. The Glacier is ideal for presentation of large pieces of exotic fish, whole fish and a variety of crustaceans and shellfish. The Miatech humidification system (optional) also ensures that the fish remains shiny and appealing throughout the day.



*Miatech humidification*



*Angled display*



*With LED lighting*

## TECHNICAL SPECIFICATIONS:

<b>Model:</b>	<b>Glacier, service unit</b>
<b>Product temperature:</b>	-1 ↓ T ↑ +5°C (3M1)
<b>Humidification temperature:</b>	-10°C (at ambient temperature of 20°C)
<b>Cooling capacity:</b>	250 W/m
<b>Lengths:</b>	Minimum 2,000 mm, with a module size of 500 mm
<b>Presentation depth:</b>	800 mm
<b>Inclination angle display platform:</b>	16°
<b>Nominal voltage:</b>	230 V, 50 Hz
<b>Windows:</b>	20, 40 or 60 cm (straight)
<b>Technology:</b>	Patented Coldplate technology combined with static cooling (no ventilation fans)
<b>Spray system:</b>	Miatech (optional)
<b>Version:</b>	Remote or plug-in
<b>Refrigerant:</b> (other refrigerants on request)	R744/R448a/R449a/R134a
<b>Interior</b>	Stainless steel (316L)
<b>Exterior:</b>	Stainless steel or RAL lacquered. Closed substructure or on columns. Various options for bumper rails.

## WANT TO KNOW MORE?

Are you interested in the options of using our Glacier fish display, or would you like advice with no further obligation? Please don't hesitate to contact us via [sales@smeva.nl](mailto:sales@smeva.nl), or call +31 (0) 40 207 32 00.