



**smeva**

since 1920

**Dedicated to freshness**



FRESH2GO | MEALPREP SELF-SERVICE COUNTER



## Fresh2Go: freshly prepared and packaged meals *on-the-spot*

This unique mealprep self-service counter creates a true fresh experience. Store clerks can prepare fresh meals *on-the-spot* using the ingredients from the refrigerated display counter. Plus, the large presentation section ensures that pre-packed items can be picked up directly and quickly. Of course, they were freshly packaged as well. In short: Fresh2Go!

### Revenue-increasing fresh presentation

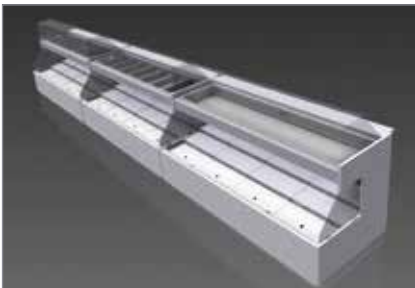
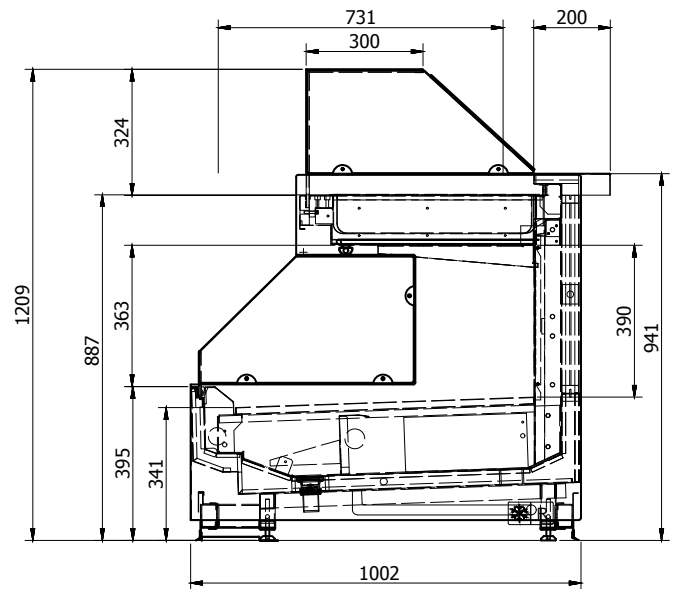
The bracket-free panoramic window makes the fresh ingredients stand out. Plus, it positions the store clerks closer to the consumers, allowing them to promote freshly made meals and tailor them to the customer's needs. In addition, the promotion of pre-packaged, freshly prepared meals in the presentation section seduces consumers to do more impulse purchases and to increase customer interaction.

### PROPERTIES:

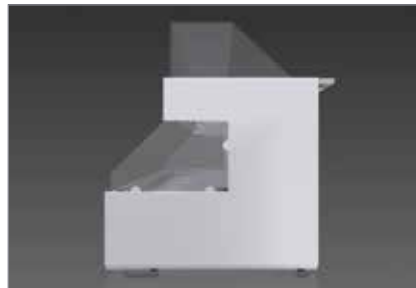
- ▶ 2-in-1 counter: service & self-service
- ▶ Refrigerated display counter (GN inserts/sushi plate option)
- ▶ Robust
- ▶ Climate class 3M1
- ▶ Flexible deployment
- ▶ LED lighting in the bottom section
- ▶ Cascaded presentation platform with inserts (option)
- ▶ Open display

## Flexible application

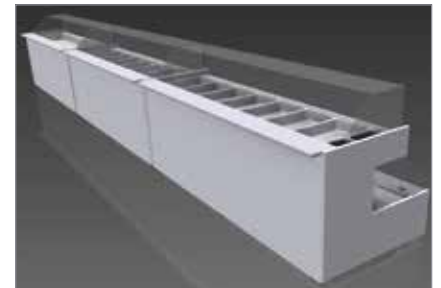
The Fresh2Go can be used for all kinds of fresh preparations; for sushi, pizza, cakes, salads or sandwiches, the possibilities are endless. The layout of the display counter is flexible to fit the needs of the moment. A flexible layout with dishes and/or bowls, or gastronom inserts or flat plates for increased visibility. In addition, after being thoroughly tested in our own test lab, Smeva can guarantee a stable product temperature that is suitable for the presentation of fresh produce.



*Flexible layout*



*Side view*



*Bracket-free window*

## TECHNICAL SPECIFICATIONS:

Model	Fresh2Go, 2-in-1 counter (service & self-service)
Product temperature	-1 ↓ T ↑ +5°C (3M1)
Evaporation temperature	-10°C (at ambient temperature of 20°C)
Cooling capacity	1100 W/m
Lengths	1,250 / 1,875 / 2,500mm
Top presentation depth	530 mm
Bottom presentation depth	770 mm
Bottom display platform inclination angle	2°
Nominal voltage	230 V, 50 Hz
Lighting	LED in lower compartment
Technology	Forced air
Version	Remote
Refrigerant (varieties per request)	R744/R448a/R449a/R134a
Interior	Stainless steel (316L). Possibility of creating a cascaded presentation platform with optional inserts.
Exterior	Stainless steel or RAL coated / Closed substructure / Various protection bumper options

## ARE YOU INTERESTED??

Are you interested in the options of using our Fresh2Go counter or would you like advice without obligation? Please don't hesitate to contact us via [sales@smeva.nl](mailto:sales@smeva.nl), or call +31 (0) 40 207 32 00. We will be happy to provide some advice to you.