



COLD AND FREEZER ROOMS



smeva

since 1920

Dedicated to freshness

Designed to use



WHY CHOOSE A SMEVA STORAGE ROOM:

Optimal storage conditions and the highest quality freshness

Smeva has been manufacturing and developing custom cold and freezer rooms for 100 years. From small rooms and combination rooms to large spaces for storage, processing and packaging. Standard top quality, affordable for implementation in any desired configuration, and delivered quickly from our own factory. This brochure contains an overview of the options, as well as our extensive range of doors and accessories.

Product applications

Smeva not only produces modular cold and freezer rooms for the food industry. Thanks to the HACCP certification, our storage rooms are also extremely suitable for the pharmaceutical industry.

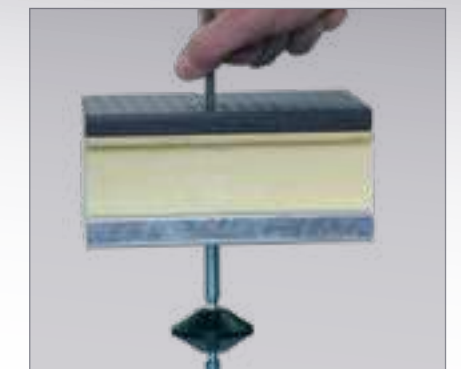
Type of storage room:	Panel thickness(es):
Storage space for freshly prepared foods	78 mm, 98 mm, 138 mm
Cold room for food processing	78 mm, 98 mm, 138 mm
Storage space for medicines and laboratory facilities	78 mm, 98 mm, 138 mm
Product cooler for pre-packaged food, dairy, soft drinks in supermarkets, catering, gas stations, etc.	78 mm, 98 mm, 138 mm
Freezer rooms for the storage of frozen foods	98 mm, 138 mm
Storage space for fresh foods	78 mm, 98 mm, 138 mm



Hinges & locks



Outer corner made in one piece



Adjustable feet construction

KEY FEATURES:

- ▶ Easy and rapid assembly
- ▶ Customisation
- ▶ Patented adjustable foot construction
- ▶ Sustainable quality
- ▶ Impact-resistant outer corners made in one piece
- ▶ Solid and robust hinges and locks
- ▶ Extensive options and accessories
- ▶ Energy-efficient

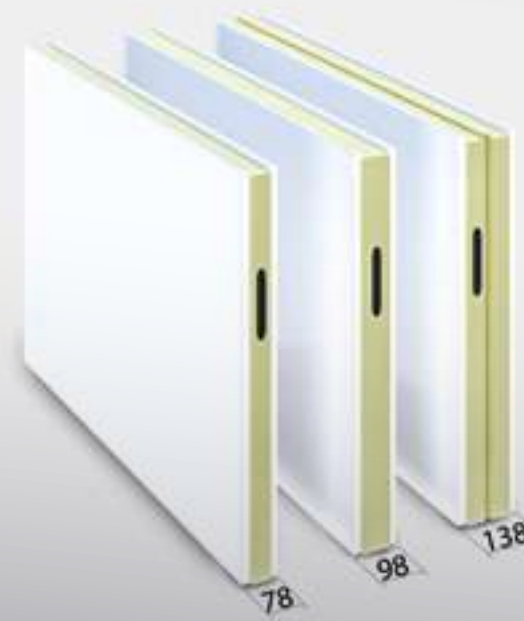
More return on your available space

Smeva can design and deliver a room in any desired length, width and height. Smeva rooms can also be designed in any desired shape so the available space can be used optimally. Even awkward corners and sloping roofs are possible. This means you get the maximum return from your m². In addition, Smeva's cold and freezer rooms are already competitively priced and, thanks to the high insulation value, they are among the most energy-efficient in the market.

Modular assembly

The starting point is a standard storage room, made up of standard panels. We build your solution based on that solid base, with all the required options and specifications. A sloping room, a combi room or a room complex, they can all be built modularly. Customisation is therefore possible across the entire line.

PANEL THICKNESSES



Panel thickness	R-value	U-value	Temperature range
78 mm	3,608 m ² K/W	0,243 W/m ² K	+2 tot +60 °C
98 mm	4,477 m ² K/W	0,201 W/m ² K	-20 tot +60 °C
138 mm	6,217 m ² K/W	0,143 W/m ² K	-35 tot +60 °C

ANY DESIRED LENGTH, WIDTH AND HEIGHT IS POSSIBLE



Technical specifications

Composition:	Outer plate, galvanised steel with polyester coating. Insulation core made of polyurethane foam. Inner plate, galvanised steel with polyester coating. Modular construction.
Steel plate:	Sendzimir galvanised steel sheet of 0.5 or 0.63 mm, SG 8000 kg/m ³ . Quality sheet steel S250 GD Z100, pursuant to EN 10147/EN 10143-93. Visible side (A-side) with 25 µm Pladurid 2-layer polyester coating in colour RAL 9010 pure white (20 µm polyester lacquer and 5 µm polyester primer) 120 µm protective film (vacuum applied, film adhesion 150-300G). Backside (B-side) with a single layer of polyester protective lacquer, suitable for PU foaming, thickness 7 µm, in colour RAL 9002 grey white.
Module size:	299 mm
Insulation thicknesses:	78 mm, 98 mm and 138 mm
Panel width:	1,196 mm
Panel height:	From 1,794 mm tot 3,289 mm
Locking system:	Foamed panel couplings with a self-centring tightening mechanism.
Floor panels:	Multiplex (12 mm), class 3 pursuant to EN 314-1 and 314-2, with a HEXA top layer (Taber value ↑ 550) of anti-slip stainless steel.
Floor construction:	On plastic beams (20 x 57 mm) every 500 mm. Alternatively the patented adjustable foot construction (adjustable range of 45 mm, with a 450-kg load capacity per adjustable foot).
Corner panel:	One-piece foam, aluminium finishing profile on the outside (from 170 mm to 1,070 mm).
Global Warming Potential:	GWP ↓ 0.1
Lambda value:	0.023 W/mK, pursuant to EN 12667
Density:	41 kg/m ³ ±3 kg/m ³
Fire properties:	F-s3, d0 for standard PUR panel and B-s3-d0 for fire retardant panel, pursuant to NEN-EN 13501-1.
Compressive strength:	↑ 200 Kpa pursuant to EN 826
Water absorption:	↓ 2 Vol % pursuant to EN 12087
Closed room content:	↑90% pursuant to ISO 459

Quick and easy to install

All parts of your Smeva cold and freezer room are supplied plug-and-play. This makes installation easy. Thanks to the quick-closing system, the pre-assembled door front, the adjustable foot construction, and the supplied assembly plan, the storage room can be quickly assembled on site.

Pre-assembled door front

All reinforcement materials for structural mounting of the door are pre-foamed out of sight, in advance. The complete door/front combination is therefore supplied ready-made. The plastic day side is entirely mechanically welded, which ensures a perfect seal.



Quick-close system

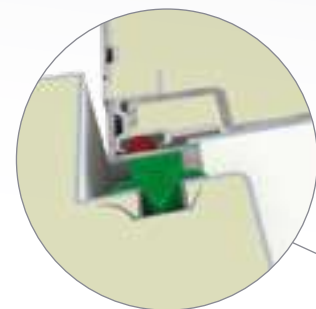
The panels are hermetically connected by means of foamed panel connectors, equipped with a self-centring tightening mechanism and a tongue and groove connection.



Adjustable foot construction

Thanks to the unique, patented, adjustable foot construction, Smeva cold and freeze rooms are always level. The level is adjustable using a standard Allen key. The architectural subfloor does not have to be levelled, which saves time and money during installation. In addition, the adjustable foot also ensures good ventilation and conduct of air.

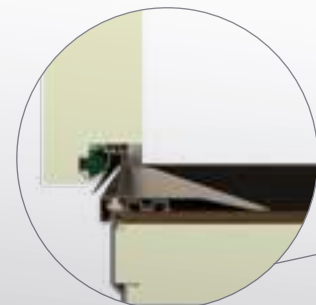
READY-MADE DOOR/FRONT COMBINATION



Cross section door/front



Hinge construction



Cross section door/floor





THE CELLS CAN BE ASSEMBLED MODULARLY:

Solid solution, tasteful appearance

Smeva cold and freezer rooms are top quality and developed for intensive daily use. This is what makes them an example of functionality. In addition, we also offer countless options for a beautiful finish. This is certainly important when the cold and freezer rooms are in sight, where they can provide important added value.

Wall panels

- ▶ Available in any height.
- ▶ Double folded sandwich constructed
- ▶ Available in various types of material and any desired RAL colour.



Colours/materials



Brushed stainless steel



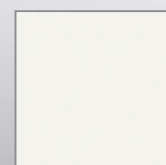
Black



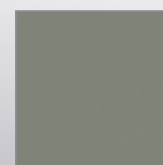
Pearl white



Stainless steel



Standard white



Concrete grey

Floor panel

The floor panels consist of a birch plywood floor plate with a Hexastrong top layer that has a pressed-in anti-slip window profile in olive brown. The phenol coating offers resistance to extreme weather conditions, micro-organisms, cold and hot water, steam and hot and cold temperatures. It also has a high wear resistance (Taber value is more than 550).



HEXA

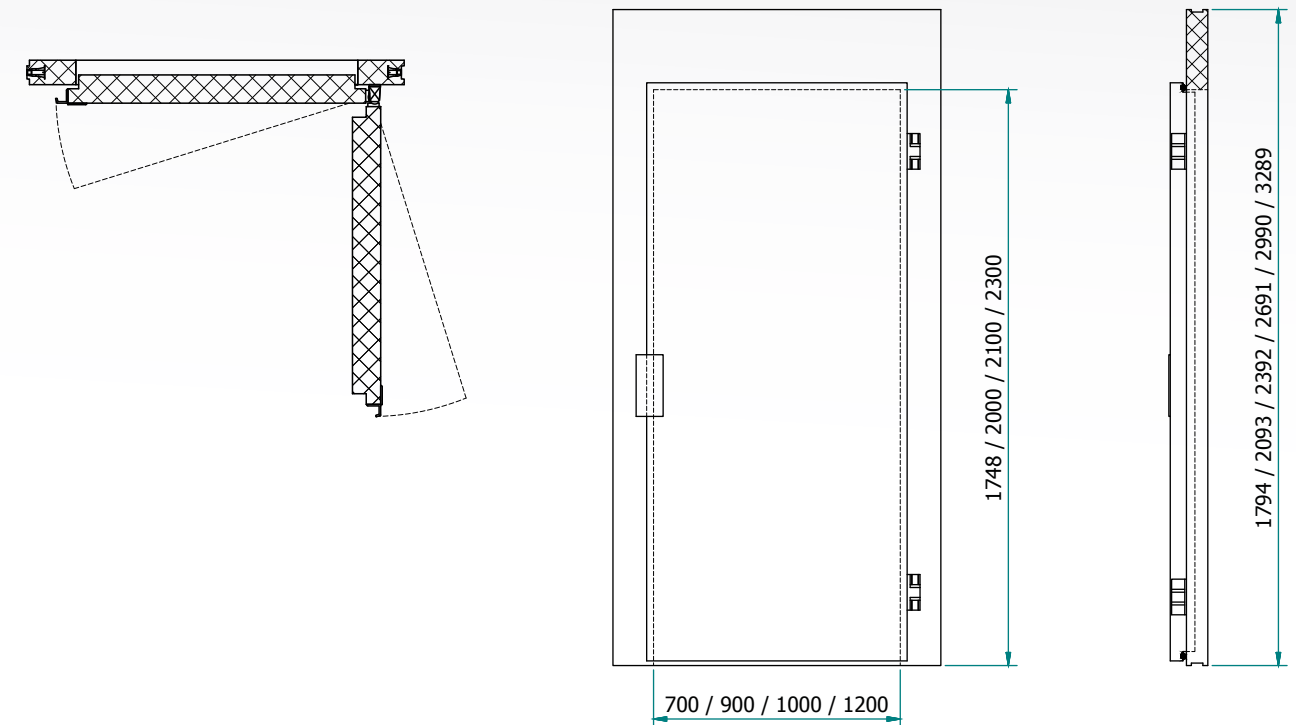


Stainless steel (CARRÉ)

Floor load 78/98/138 mm	Top layer waterproof plywood, HEXA	Top layer stainless steel anti-slip, CARRÉ
Max permissible load for distributed weight	2.000 kg	2.500 kg
Max permissible load per wheel (hard wheel ↑ 1 cm ²)	20 kg	65 kg
Max permissible load per wheel (rubber wheel ↑ 4 cm ²)	200 kg	250 kg
Max permissible point load (10 cm ²)	250 kg	315 kg
Max permissible pallet truck load (10 cm ²)	500 kg	625 kg
Anti-slip value	R11	R11

HINGED DOOR

As standard, all revolving doors are fitted with a magnetic window, an aluminium exterior handle, and heavy duty hinges. Revolving either way is possible.



Doors

Smeva cold and freezer rooms are supplied with solid doors that close perfectly and therefore have high insulation value. The sheet material of the pre-assembled door/front combination is made from the same material as the panel walls. Of course, these are equipped with removable protective film. Delivered as standard in RAL 9010, but various types of material and RAL colours are also possible for the doors. Smeva has an extensive range of door accessories, ask our sales department about the options.

Our product range includes:

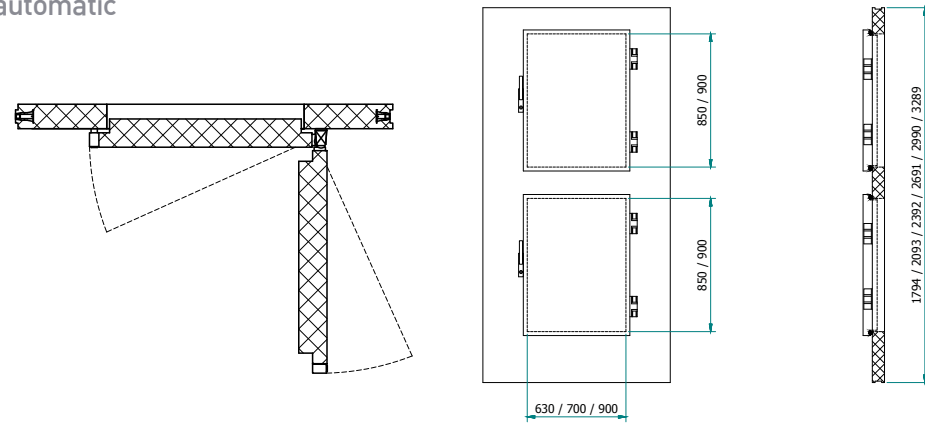
- ▶ Hinged doors
- ▶ Double revolving doors
- ▶ Hatches
- ▶ Sliding doors
- ▶ Swing doors

Opening size		Front					
Width	Height	Internal Height					
Hinged doors		1794	2093	2392	2691	2990	3289
700	1748	✱					
900	1748	✱					
700	2000		✱				
900	2000		✱				
1000	2000		✱				
1200*	2000		✱				
700	2100			✱	✱	✱	✱
900	2100			✱	✱	✱	✱
1000	2100			✱	✱	✱	✱
1200*	2100			✱	✱	✱	✱
900	2300			✱	✱	✱	✱
1000	2300			✱	✱	✱	✱
1200*	2300			✱	✱	✱	✱

* Door is divided into 2 panels

HATCHES

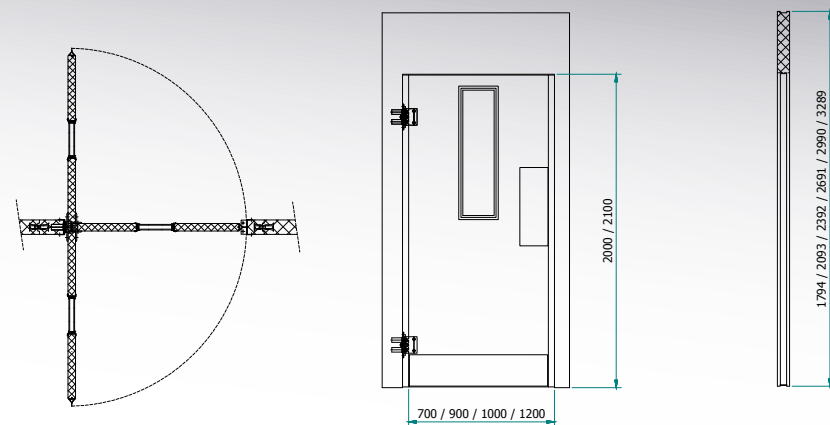
All shutters are fitted with an automatic cold room lock as standard.



Opening size		Front					
Width	Height	Internal Height					
Hatches		1794	2093	2392	2691	2990	3289
630	850	✱	✱	✱	✱	✱	✱
700	850	✱	✱	✱	✱	✱	✱
900	900	✱	✱	✱	✱	✱	✱

SWING DOOR

All swing doors with glass are fitted with a strike plate as standard.

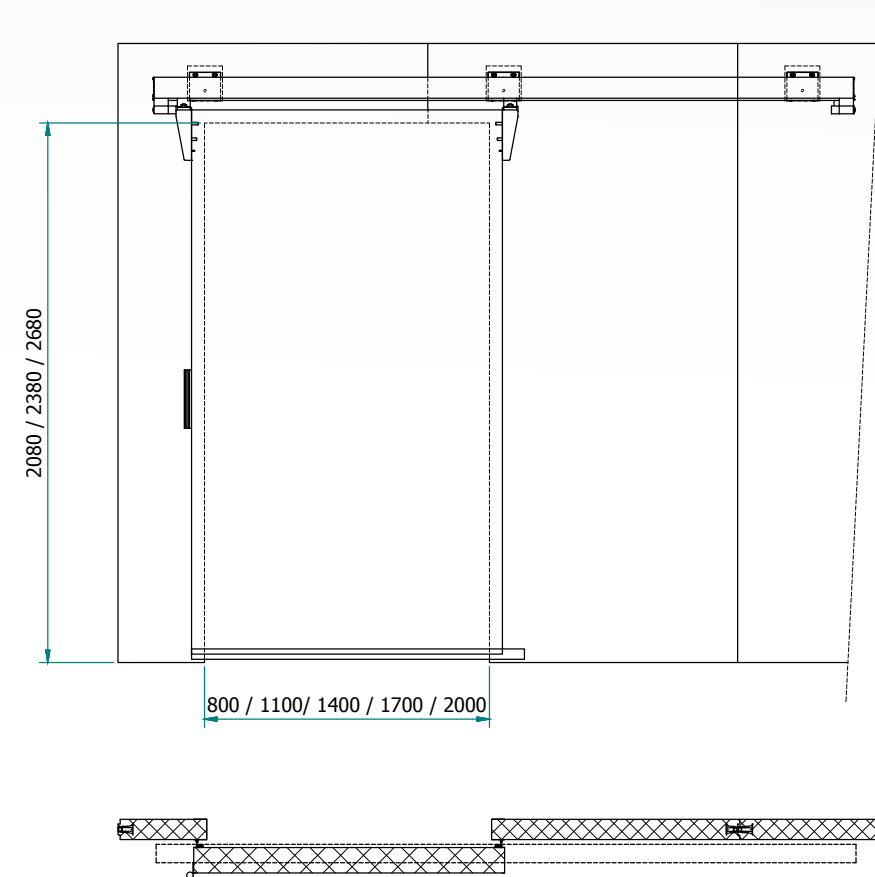


Opening size		Front					
Width	Height	Internal Height					
Swing doors		1794	2093	2392	2691	2990	3289
700	2000		✱	✱	✱	✱	✱
900	2000		✱	✱	✱	✱	✱
1000	2000		✱	✱	✱	✱	✱
1200	2000		✱	✱	✱	✱	✱
700	2100			✱	✱	✱	✱
900	2100			✱	✱	✱	✱
1000	2100			✱	✱	✱	✱
1200*	2100			✱	✱	✱	✱

* Door is divided into 2 panels

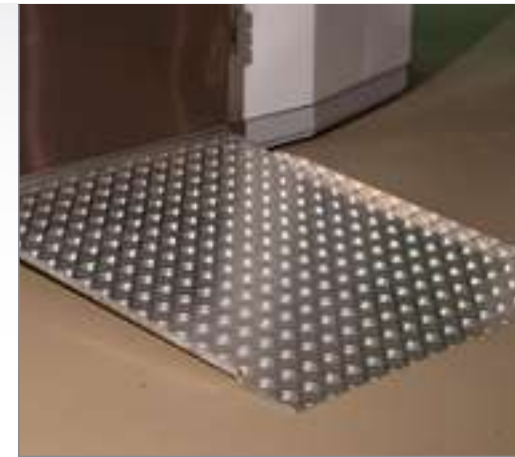
SLIDING DOOR

All sliding doors larger than 1400 mm are fitted with lever locks as standard.



Opening size		Front					
Width	Height	Internal Height					
Sliding doors		1794	2093	2392	2691	2990	3289
800	2080			✱	✱	✱	✱
800	2380				✱	✱	✱
800	2680					✱	✱
1100	2080			✱	✱	✱	✱
1100	2380				✱	✱	✱
1100	2680					✱	✱
1400*	2080			✱	✱	✱	✱
1400*	2380				✱	✱	✱
1400*	2680					✱	✱
1700*	2080			✱	✱	✱	✱
1700*	2380				✱	✱	✱
1700*	2680					✱	✱
2000*	2080			✱	✱	✱	✱
2000*	2380				✱	✱	✱
2000*	2680					✱	✱

* Door is divided into 2 or 3 panels



Folding ramp



Cisa-lock



Heated scrub pit



Door closer (Dictator)

OPTIONS AND ACCESSORIES

Can be configured entirely to your wishes

We can make the standard cold and freezer rooms with a wide variety of doors and windows in any desired place. In addition, we offer countless features that are typical Smeva, such as a folding and adjustable ramp, an automatic door closer, or a heated scrub pit that prevents waste water freezing.



Nitro



Vitro



Standard handle



Fermod 795



Jumbo 6000

Door accessories

- ▶ Cisa lock (can be opened from the inside and can be locked from the outside)
- ▶ Door closer: Dictator (ensures the door catches and closes securely)
- ▶ Different closures/handles
- ▶ Strip curtain
- ▶ Kickplate
- ▶ Insulated windows (standard in 300 x 800 mm)

Storage room accessories

- ▶ Ramps: movable or foldable
- ▶ Insulated window (standard 1 x 1 metre) only for cold room
- ▶ Hanging systems/rollers
- ▶ Cell ceiling finish
- ▶ Various storage room finishes available
- ▶ Glass door system
- ▶ Aluminum collision protection
- ▶ HDPE bumper



smeva

since 1920

Smeva B.V.

J.F. Kennedylaan 27
5555 XC Valkenswaard

Postbus 30
5550 AA Valkenswaard
The Netherlands

T +31 (0)40 207 32 00

info@smeva.com

www.smeva.com

As soon as the temperature drops, our involvement goes up. This is Smeva's distinctive power. We have been developing, producing and delivering first-class refrigeration and freezer solutions to customers all over the world since 1920. Smeva delivers to specialist stores, supermarkets, healthcare facilities, catering companies and the non-food industry. We deliver optimal storage conditions and a high-quality service far and wide.

Dedicated to freshness

Since 1920